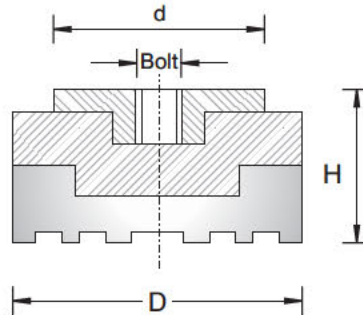


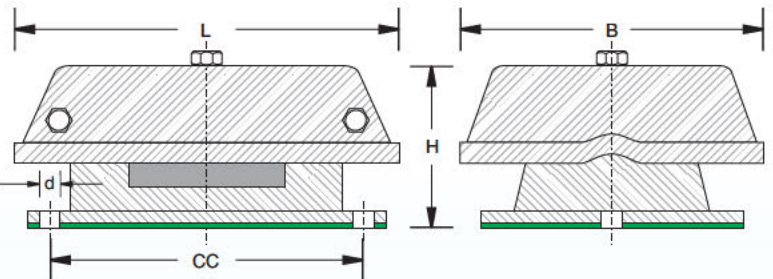
MAC LEVEL MOUNTS, Series DML



Dynemech Mac Level, Series DML is suitable for high speed rotating machines having small or no axial forces.

Model	Max.Load (Kg)	D mm	H mm	d mm	Levelling Adjustment mm	Natural Frequency at Max. Load (Hz)	Bolt
DML 1	175	50	40	32	10	7	M10
DML 2	500	80	47	45	12	7	M12
DML 3	1200	120	53	60	12	7	M16
DML 4	2000	160	58	90	20	8	M16
DML 5	4000	200	63	120	20	8	M20

FLEXIFOOT MOUNTS, Series DGF



Dynemech Flexi Foot Mounts, Series DGF is well suited for machines requiring vibration damping in both compression and shear. An anti skid plate is provided in the base of the mount to prevent machine walking. These mounts can also be anchored to the floor through the holes provided in the base for machines producing high unbalance forces.

Applications : Generators, Blowers, Pumps, ID & FD Fans, Cooling Towers, etc.

Model	Max.Load (Kg)	L mm	B mm	H mm	Bolt	CC mm	dØ mm	Natural Frequency at Max. Load (Hz)
DGF1-A	75	134	126	81	M12	89	13	6.0
DGF1-B	100	134	126	81	M12	89	13	6.0
DGF1-C	150	134	126	81	M12	89	13	6.5
DGF1-D	225	134	126	81	M12	89	13	6.5
DGF1-E	300	134	126	81	M12	89	13	7.0
DGF2-A	250	225	205	105	M16	159	18	6.5
DGF2-B	500	225	205	105	M16	159	18	6.5
DGF2-C	850	225	205	105	M16	159	18	7.0
DGF2-D	1100	225	205	105	M16	159	18	7.0
DGF2-E	1575	225	205	105	M16	159	18	7.0