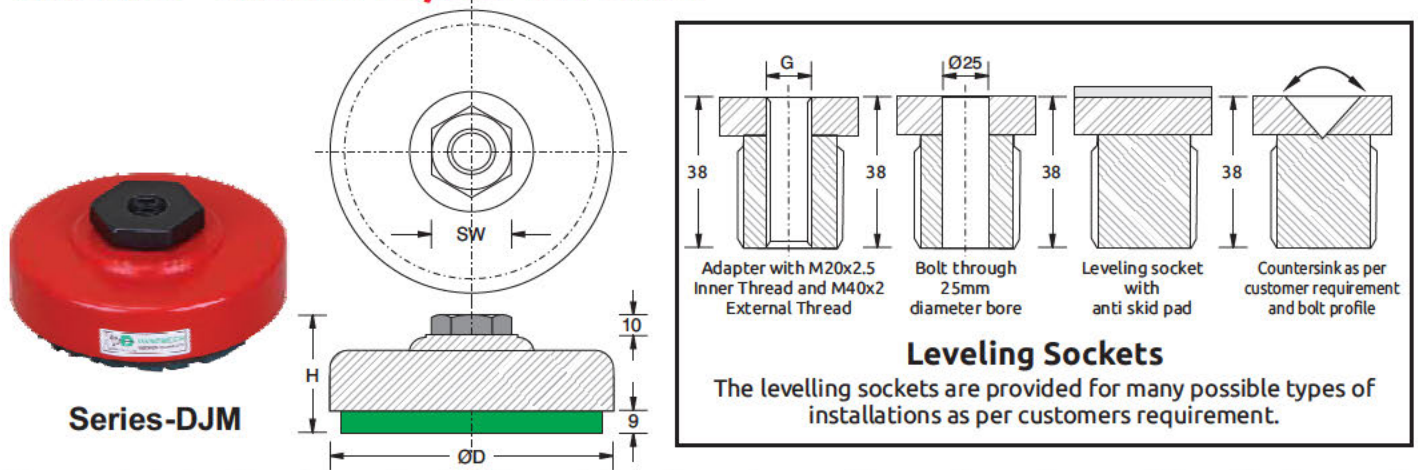


JACKUP MOUNTS, Series DJM



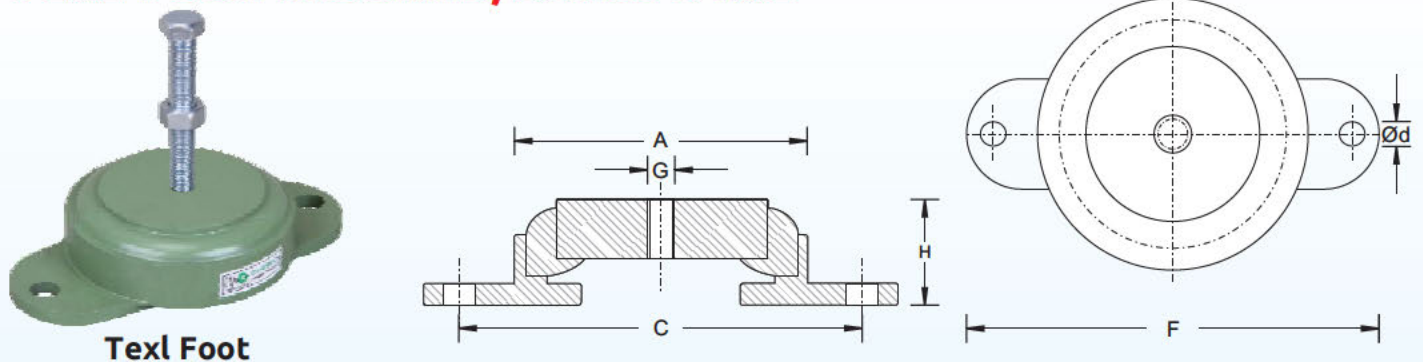
Dynemech Jackup Mounts provides isolation solutions for various machines and mounting conditions. The Dynemech Jackup Mounts also provide for high machine leveling capabilities. These Jackup mounts provide high load capacity and best level stability. The bottom design provides for non skid properties for the Jackup Mount. The Jackup mount also provide very good passive vibration isolation.

Applications: Machine Tools, Textile Machine, Graphics machines, Planners long bedded machines etc.

Model	Load Kg/pc	Height (H) mm	Dia (D) (mm)	G (mm)	HEX (SW) (mm)
DJM 0	850	49	90	M20 x 2.5 (Length 38mm)	46
DJM 1	1500	49	120	M20 x 2.5 (Length 38mm)	46
DJM 2	2500	49	160	M20 x 2.5 (Length 38mm)	62

Note: Please mention type of socket required at the time of ordering.

TEXL FOOT MOUNTS, Series DTXL



Low cost solution for Shock Absorption and Vibration control. Rugged CI body mount provide option for low height machinery installation option. Simple, ready to install configuration with top cup and bottom base plate bolting options. Provides stability, smoother operation and reduced maintenance in machinery. High efficiency, stable fixed support, long service life of mounts ensures greater productivity of machinery.

Model	A mm	H mm	G mm	Ød mm	F mm	C mm	Load Kg/pc
DTXL 1	108	38	M12	13	175	148	500

Note : Bolt sizes available as optional accessories for Texl Foot Mounts.